

661 | ACCU-PRO AT BEDKNIFE GRINDER

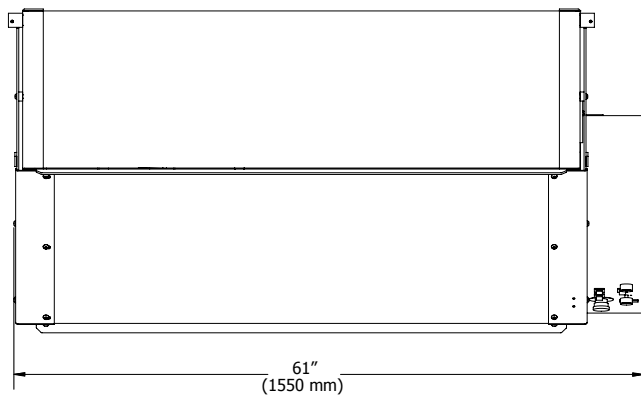
FOLEY
COMPANY



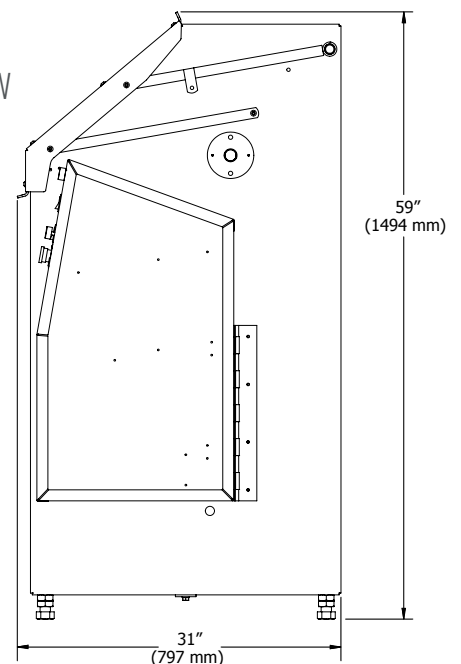
FEATURES	661 AT
MOUNTING SYSTEM	PERMANENT MAGNETS WITH SUPPORTS
ADJUSTABLE FLOOD COOLANT	✓
QUICK RETRACTABLE SETUP GAUGE	✓
GRIND ANGLE	MANUAL WITH DECAL
INTEGRATED DIAMOND DRESSER	✓
HEIGHT ADJUSTABLE GRINDING HEAD	✓
VARIABLE SPEED BELT DRIVE TRAVERSE SYSTEM	✓
AUTOMATIC MODE - WITH POWERED INFEEED	X
OPTIONAL EQUIPMENT	
BORAZON WHEEL	OPTIONAL
BELLOWS KIT	X
FLOOD COOLANT ADDITIVE (ORDER WHEN NEEDED)	✓

▶ DIMENSIONS:

TOP VIEW



SIDE VIEW



MADE USA
IN THE

©2022 FOLEY COMPANY. ALL RIGHTS RESERVED. PN3730171 - LU01072020

FOLEYCO.COM | 800.225.9810

PURSUE PERFECT

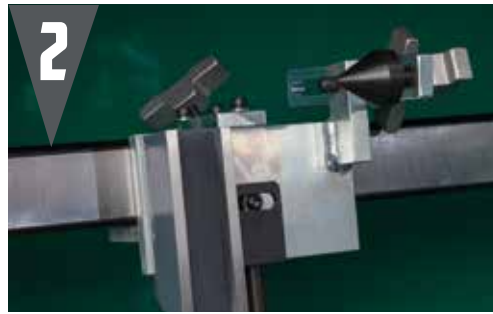
661 | ACCU-PRO AT BEDKNIFE GRINDER

FOLEY
COMPANY

EASY ANGLE POSITIONS



MAGNETIC MOUNTING SYSTEM



PRECISION GRINDING HEAD



INTEGRATED FLOOD COOLANT SYSTEM



BELT DRIVE TRAVERSE SYSTEM ON AT



BUILT-IN DIAMOND DRESSER



ACCESSIBLE CONTROL PANEL



INTERLOCK DOOR SAFETY SWITCH



ALL THE FEATURES YOU NEED WITHOUT BREAKING THE BUDGET

PROTECTIVE SHIELD



BEDKNIFE SUPPORT TOOLING

USES PERMANENT MAGNET TO SECURE THE BEDKNIFE.

FULL FEATURED GRINDING HEAD DESIGN

ALLOWS FOR INCREMENTAL INFEDS OF .001" (.025 MM) AS THE RIGID CARRIAGE MAKES GRINDING SMOOTH AND PRECISE.

AUTO-TRAVERSE FUNCTION ON 661 AT

TO TRAVERSE THE GRINDING HEAD AUTOMATICALLY DOWN THE LENGTH OF THE BEDKNIFE ON TWO PRECISION RAILS.

